

PGL-VI-1064/1~400mW

LASER MODULE AT 1064nm




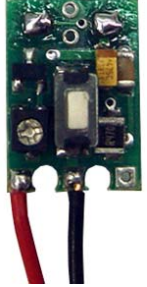

PGL-VI-1064 is made features of wide temperature operating (no TEC), high reliability, and low cost, which is widely used in collimation, laser medical treatment, scientific experiment, optical instrument, etc.



SPECIFICATIONS

Wavelength (nm)	1064±1	
Output power (mW)	>1, 10, 20, ..., 400	
Transverse mode	TEM ₀₀	
Operating mode	CW	
Beam divergence, full angle (mrad)	<1.5	
Beam diameter at the aperture (mm)	~1.5	
Power stability (rms)	<10% , over 4 hours at constant temperature after warm up	
	<20%, over operating temperature range	
Warm-up time (minutes)	<10	
Operating temperature (°C)	20~30	
Power supply	3V PCB	5VPCB
	TTL modulation	
Expected lifetime (hours)	5000	
Warranty period	1 year	



PGL-VI -1064	3VPCB			5VPCB
 <p>16.5g</p>	 <p>17(L) × 11(W) mm²</p>	 <p>17(L) × 11(W) mm²</p>	 <p>17(L) × 11(W) mm²</p>	 <p>35(L) × 15(W) mm²</p>