



PGL-III-C-589/5~80mW

**PORTABLE YELLOW LASER  
AT 589nm**

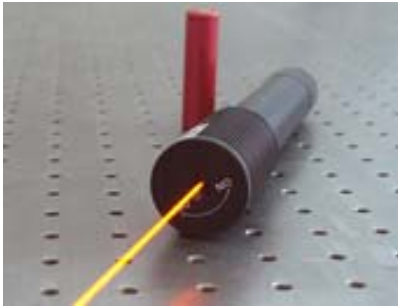
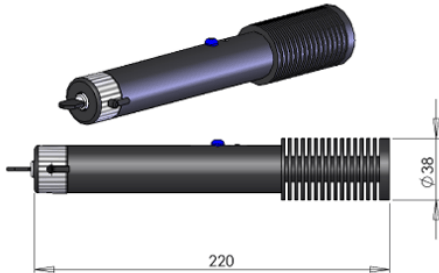

PGL-III-C-589 yellow portable laser is much brighter than 593.5nm one. It is novel, unique and amazing.



**SPECIFICATIONS**

Wavelength (nm)	589 ± 2
Output power (mW)	>5, 10, 15, ..., 80
Transverse mode	TEM <sub>00</sub>
Operating mode	CW
Beam divergence, full angle (mrad)	<1.5
Beam diameter at the aperture (mm)	~1.5
Switch	Push button
Surface color	Black
Power Consumption	DC 3.6V
Power supply	1×"No. 18650" Lithium battery
Expected lifetime (hours)	5000
Warranty	6 months
Remark	LED indicator, remote connector and key switch are available.



PGL-III-C-589	Dimensions	Accessory
 <p>Φ38×220(L) mm<sup>3</sup>, 0.3 kg</p>		 <p>1×"No. 18650" Li batteries and charger</p>