



PGL-III-A-473/1~50mW

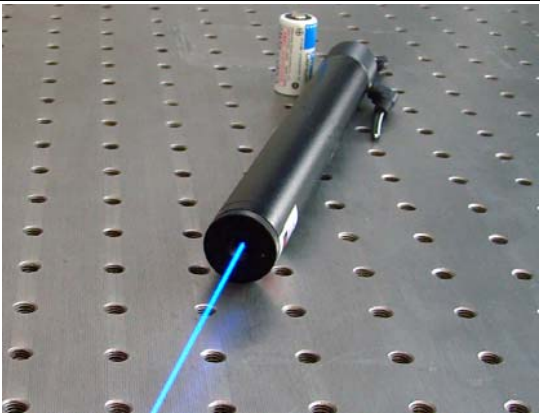
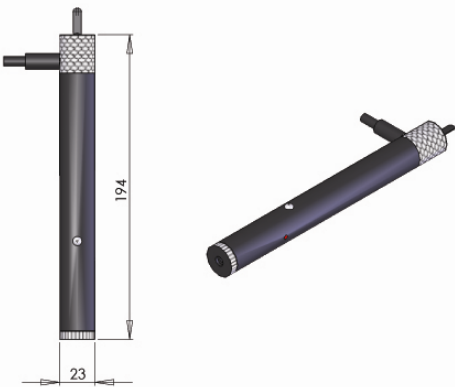

**PORTABLE BLUE LASER  
AT 473nm**

PGL-III-A-473 is noticeable blue portable laser, in addition, it is FDA approved.



Wavelength (nm)	473±1
Output power (mW)	1, 2, 5, 10……50
Transverse mode	TEM <sub>00</sub>
Operating mode	CW
Beam divergence, full angle (mrad)	<1.2
Beam diameter at the aperture (mm)	~1.5
Switch	Push button
Surface color	Black
Power Consumption	DC 3V
Power supply	1×“CR123A 3V” Lithium battery
Expected lifetime (hours)	5000
Warranty	6 months



PGL-III-A-473 (1~50mW)	Dimensions	Accessory
 <p>Φ23×194(L) mm<sup>3</sup>, 0.165 kg</p>		 <p>CR123a lithium battery (1pcs)</p>