

LPS-A-1064/20-150mJ

## HIGH ENERGY LAMP PUMPED SOLID STATE Q-SWITCHED LASER

High energy lamp pumped solid state Q-switched laser at 1064nm has the features of high single pulse energy, short pulse duration, high peak power, and air cooling, which is widely used in scientific research and so on.


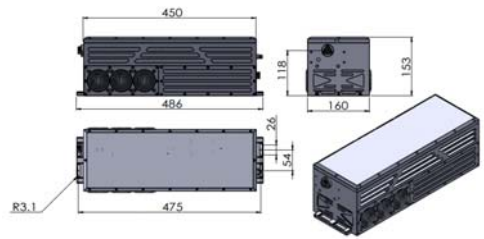



### SPECIFICATIONS

Wavelength (nm)	1064±1			
Operating mode	Q-switched: EOM (Electro-optic modulation)			
Single pulse energy (mJ)	20	50	100	150
Pulse duration (ns)	<10	<10	<10	<10
Rep. rate (Hz)	1~10 (adjustable)			
Energy stability	≤3%			
Warm-up time (minutes)	<15			
Beam divergence, full angle (mrad)	~1.5	~1.0	~1.0	~1.0
Beam diameter (mm)	<6	<6	7	7
Beam height from base plate (mm)	118			
Cooled method	Air Cooling			
Operating temperature (°C)	20~30			
Power supply (220/110VAC)	PSU-LPS-A(3U)			
Expected lifetime (hours)	10000			
Warranty period	1 year			
Available Options	SHG Module, Jitter~Ins, Sdev			



If you have any further requirement about the specification, please contact CNI sales.

LPS-A-1064	PSU-LPS-A (3U)
 <p><b>486 (L) × 160 (W) × 153 (H) mm<sup>3</sup>, 15 kg</b></p>	
	 <p><b>480 (L) × 450 (W) × 150 (H) mm<sup>3</sup>, 15kg</b></p> <p>Rep. rate and Voltage can be adjusted by touch screen</p>