



GLP-473/0.6~5mW

**BLUE LASER POINTER
AT 473nm**

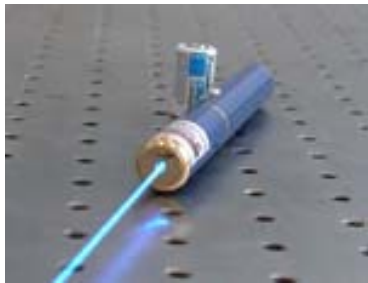
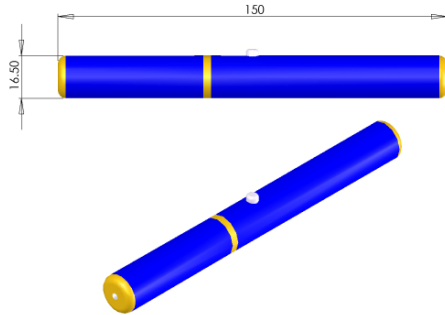

GLP-473 is the first blue laser pointer in the world. It is novel, unique and amazing.



SPECIFICATIONS

Wavelength (nm)	473±1		
Output power (mW)	0.6~1	1~3	3~5
Transverse mode	Near TEM ₀₀		
Beam divergence, full angle (mrad)	<1.5		
Beam diameter at the aperture (mm)	~1.5		
Switch	Push button		
Surface color	Blue		
Range in darkness (m)	1000~2000		
Power Consumption	DC 3V		
Power supply	1×CR2 3V lithium batteries		
Expected lifetime (hours)	5000		
Warranty	6 months		
Remark	PGL-III -473 portable laser (FDA approval) with key switch up to 50mW is available.		



GLP-473	Dimensions	Accessory
 <p>Φ16.5×150(L) mm³, 0.1kg</p>		 <p>1×CR2/3V lithium battery</p>