



GLP-450/0.6-5mW

**VIOLET BLUE LASER  
POINTER AT 450 nm**

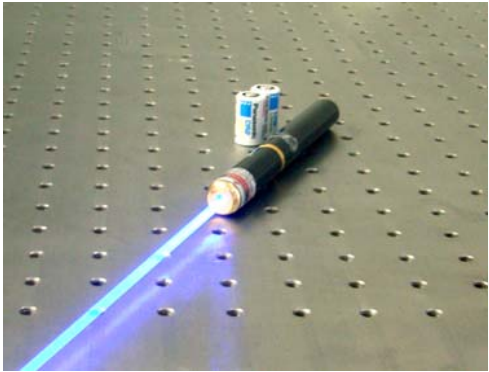


GLP-450 is the first blue-violet laser pointer in the world. It is novel, unique and amazing.



**SPECIFICATIONS**

Wavelength (nm)	450±5		
Output power (mW)	0.6~1	1~3	3~5
Transverse mode	Near TEM00		
Beam divergence, full angle (mrad)	<1		
Beam diameter at the aperture (mm)	~3.5		
Switch	Push button		
Surface color	Black		
Range in darkness (m)	10000		
Power Consumption	DC 6V		
Power supply	2×CR2 3V lithium batteries		
Expected lifetime (hours)	5000		
Warranty	6 months		



GLP-450	Dimensions	Accessory
 <p>Φ16.5×150(L) mm<sup>3</sup>, 0.1kg</p>		 <p>2×CR2/3V lithium battery</p>