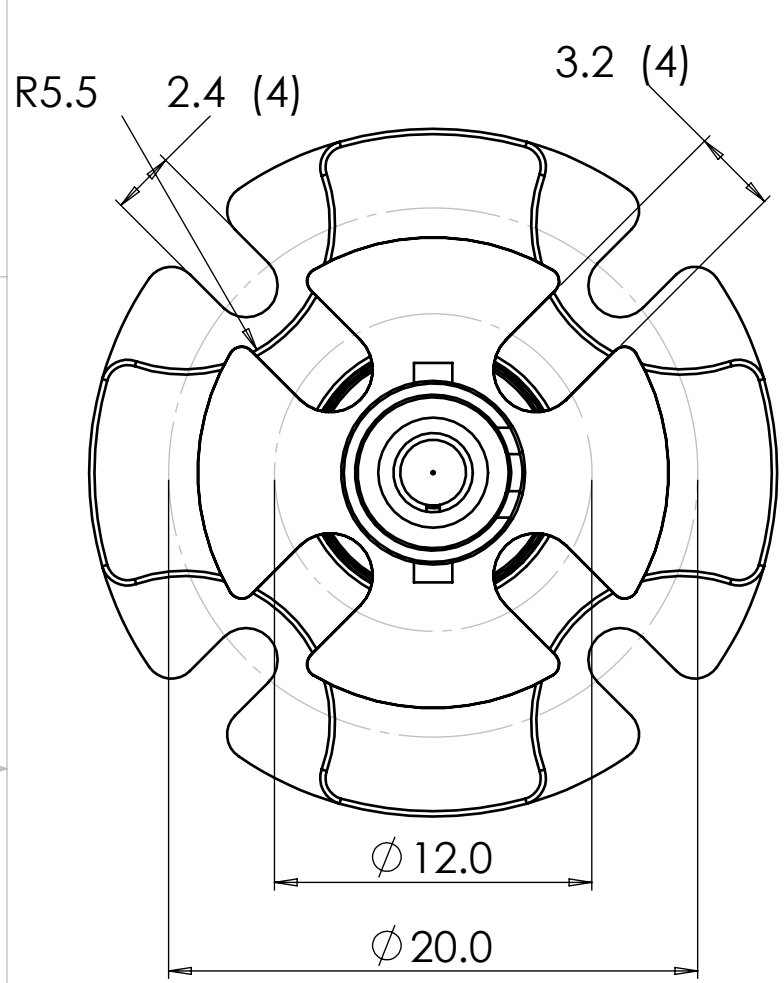
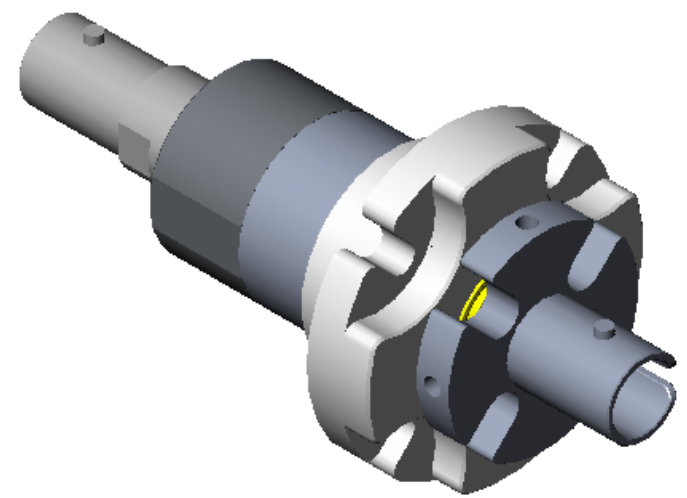
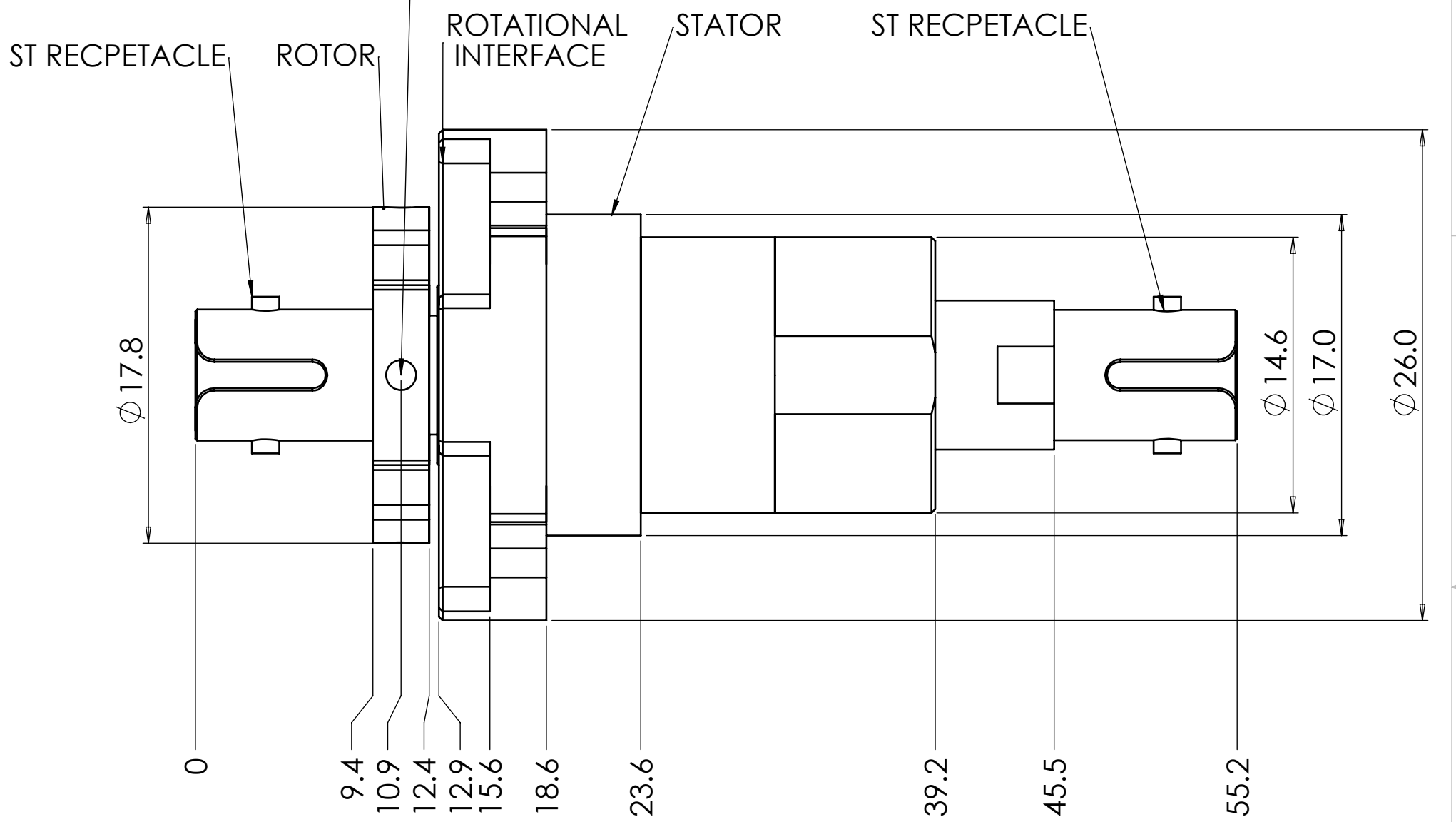


8 7 6 5 4 3 2 1



M2x0.4  $\nabla$  4.0  
(4 THD EQUALLY SPACED)



**PROPRIETARY AND CONFIDENTIAL**  
THE INFORMATION CONTAINED IN THIS DRAWING IS THE SOLE PROPERTY OF PRINCETEL, INC. ANY REPRODUCTION IN PART OR AS A WHOLE WITHOUT THE WRITTEN PERMISSION OF PRINCETEL, INC. IS PROHIBITED.

UNLESS OTHERWISE SPECIFIED:

DIMENSIONS ARE IN mm

TOLERANCES:  
ANGULAR:  $\pm 1/2^\circ$   
ONE PLACE DECIMAL  $\pm 0.100$   
TWO PLACE DECIMAL  $\pm 0.050$   
THREE PLACE DECIMAL  $\pm 0.025$

MATERIAL: 303 Stainless steel

	DATE	NAME	PRINCETEL, INC.	
DRAWN		R. Z.	TITLE:	
CHECKED		B. Z.	RST	
ENG APPR.			SIZE	DWG. NO.
MFG APPR.			B	1062-00-00
Q.A.			REV	5.0
COMMENTS:			PART NO.	SHEET 1 OF 1

8 7 6 5 4 3 2 1