



LASER DIODE TO FIBER COUPLER – PIGTAIL STYLE

Features:

- Proven design and manufacture
- Variety of standard packaging options
- 400nm to 2050nm
- Single mode, multimode or polarization maintaining fiber
- Rugged design

Applications:

- Fiber Optic Communications
- Optical Alignment Systems
- Process Control
- Optical Sensor Applications
- Medical Apparatus
- Imaging Systems
- Test and measurement systems

Product Description:

OZ Optics offers a complete line of laser diode to fiber couplers, offering optimum coupling in a small, rugged package. They may be purchased prealigned, with the diode already in place, or as a kit that can be assembled by the customer using their own diode. The complete assembly procedure is quite straightforward, and can be done in less than twenty minutes. A complete alignment kit, which includes tools and video instructions, is available separately.

Laser diode source couplers are available for a variety of diode case sizes, and for diode wavelengths from 400nm to greater than 2050nm. These source couplers work with multimode, singlemode, and polarization maintaining fiber. One advantage of the design is should the diode ever fail, it can easily be replaced while reusing the rest of the optics. The device can then be realigned for optimum coupling. There are two versions of tilt adjustable laser diode to fiber couplers - receptacle style couplers, and pigtail style couplers. Pigtail style laser diode to fiber couplers are offered with the fiber pigtailed directly onto the coupler. The pigtail style laser diode to fiber coupler provides higher coupling efficiencies and lower backreflection levels than receptacle style couplers, as well as better stability. The output fiber can be terminated with different output connectors, as desired.

Laser diode to fiber couplers are available in different diameters. The standard diameter package is 0.79" in diameter. This size fits almost all standard laser diode packages. The larger 1.3" diameter housing provides best coupling efficiencies as it permits a wider selection of coupling optics. This housing size is also used with large diode case sizes, such as TO-3 (H1) package sizes. A smaller 0.59" diameter housing is available for diode can sizes 9.0mm in diameter or smaller. For diodes with can diameters of 5.6mm or less, a miniature 0.5" diameter tilt adjustable housing is possible.

One misconception about tilt adjustable laser diode couplers is the belief that the number of tilt and locking screws make the coupler sensitive to temperature or vibration. In fact, tilt adjustable source couplers can be used over a temperature range of -25°C to 60°C, and have been vibration tested. Higher temperature versions are available on request.

OZ Optics also offers a special, low cost, miniature pigtail style laser diode to fiber couplers for OEM applications. These packages use just a single lens to couple light from the laser diode into the fiber. They do not use OZ Optics tilt adjustment technique. This package features a compact, rugged housing, at a significantly lower cost. The housing diameter is typically 10mm. Coupling efficiency into singlemode and multimode fibers is typically 10 percent and 35 percent, respectively.

A variety of options are available for laser diode to fiber couplers. One such option is a coupler with a built in isolator. Isolators can reduce the effects of backreflection by up to 60dB. This is very useful for applications where the intensity and wavelength stability of the output light from the diode are critical. Another option is a blocking screw to attenuate the output beam. This allows the user to precisely control the output power entering the fiber, without having to change the diode current. Laser diode to fiber couplers with polarizers or polarization rotators in the middle are also available.



LDPC-01



LDPC-02



LDPC-03



LDPC-04



LDPC-05

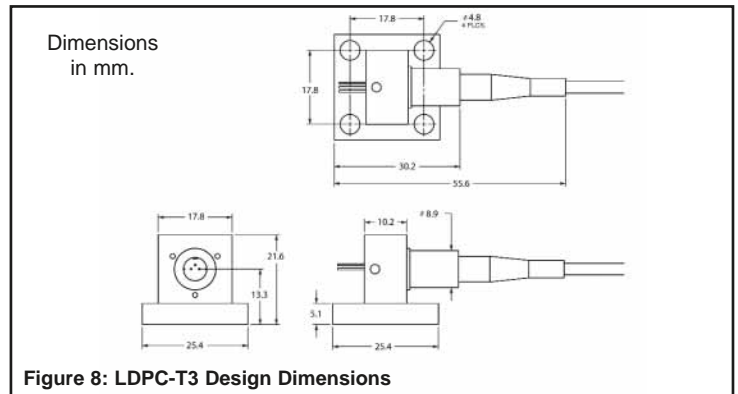
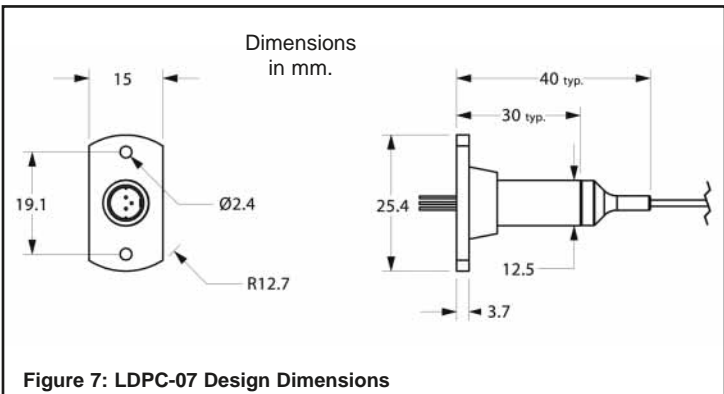
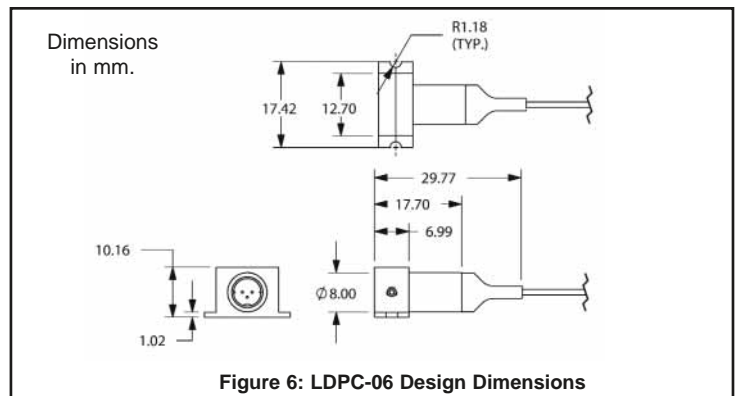
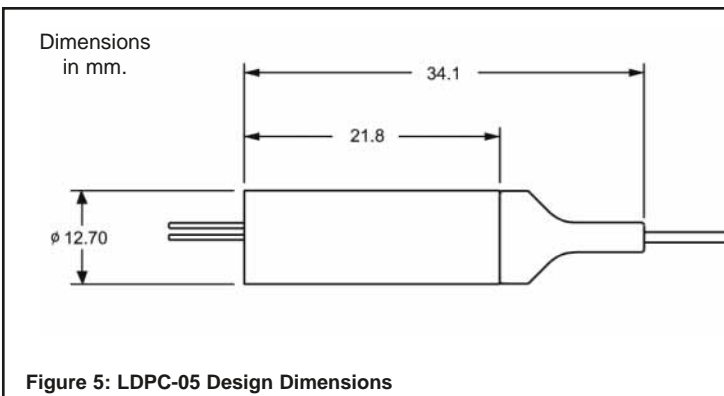
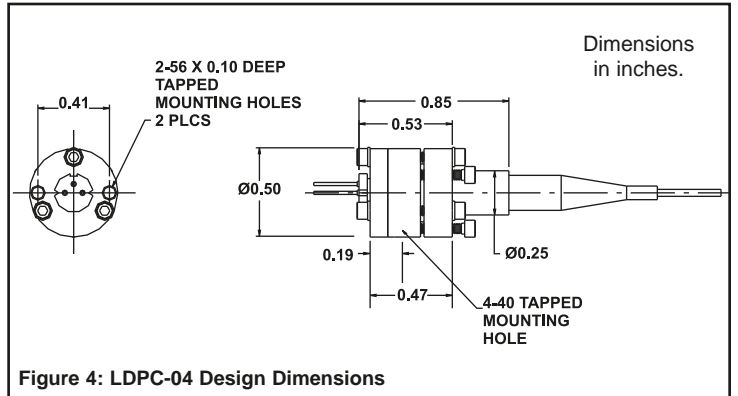
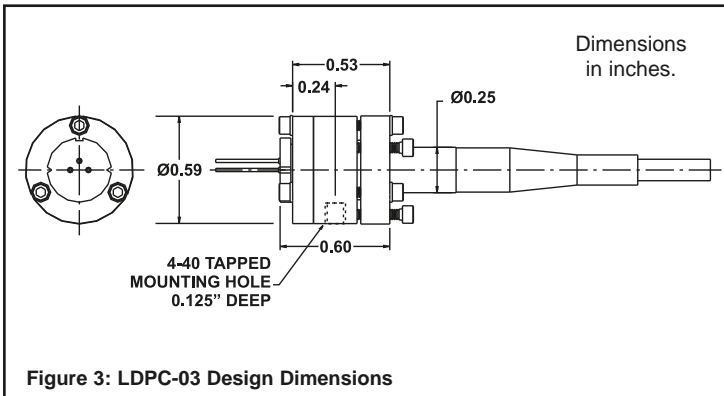
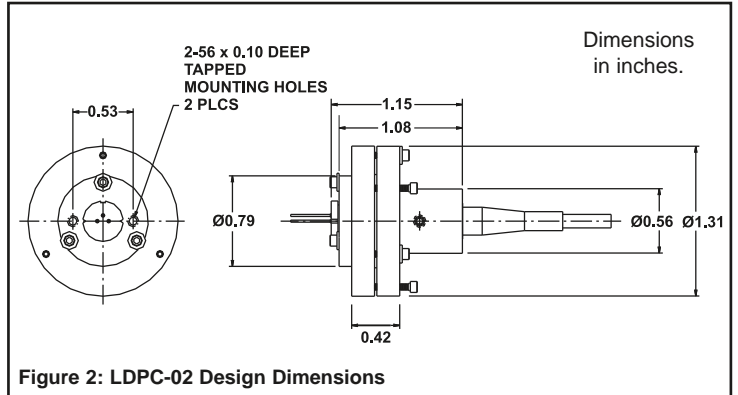
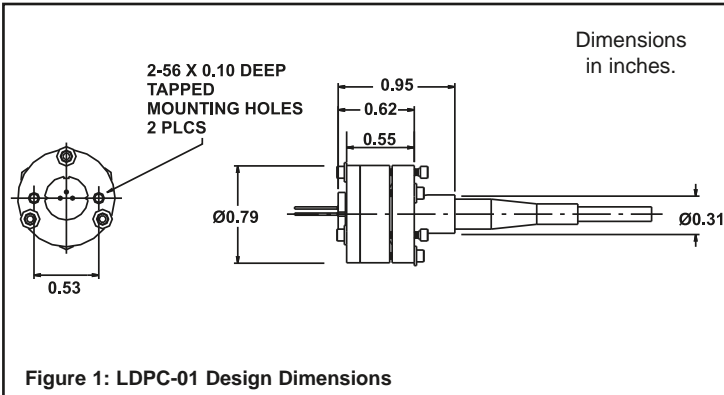


LDPC-06



LDPC-T3 (Thermal Block)

Dimensions For The Different Pigtail Laser Diode Packages:



A variety of options are available for laser diode to fiber couplers. One such option is a coupler with a built in isolator.

Isolators can reduce the effects of backreflection by up to 60dB.

This is done by using coated optics and angled polished fibers.

This is very useful for applications where the intensity and wavelength stability of the output light from the diode is critical.

Another option for laser diode to fiber couplers is a blocking screw to attenuate the output beam. This allows the user to precisely control the output power entering the fiber, without having to change the diode current. Another option is laser diode to fiber couplers with polarizer or polarization Rotator in the middle.

Ordering Information For Standard Parts:

For Standard Parts, please see our Online Catalog <http://shop.ozoptics.com/>

Bar Code	Part Number	Description
53487	LDPC-07-635-4/125-S-40-3A-1-1-30-10LD	Pigtail style laser diode to fiber coupler using a 10mW 635nm laser diode with 30% coupling efficiency (3mW minimum output power from the fiber), with a 1 meter long, 900µm OD loose tube jacketed 4/125 singlemode fiber terminated with an FC/APC connector. The coupler return loss is -40dB. The coupler housing includes a 25.4mm x 15mm mounting flange. Driver electronics not included.
53494	LDPC-07-785-5/125-S-40-3A-1-1-30-70LD	Pigtail style laser diode to fiber coupler using a 70mW, 785nm laser diode with 30% coupling efficiency (20mW minimum output power from the fiber), with a 1 meter long, 900µm OD loose tube jacketed 5/125 singlemode fiber terminated with an FC/APC connector.
53497	LDPC-07-850-5/125-S-40-3A-1-1-30-50LD	Pigtail style laser diode to fiber coupler using a 50mW 850nm laser diode with 30% coupling efficiency (10mW minimum output power from the fiber), with a 1 meter long, 900µm OD loose tube jacketed 5/125 singlemode fiber terminated with an FC/APC connector. The coupler return loss is -40dB. The coupler housing includes a 25.4mm x 15mm mounting flange. Driver electronics not included.
53498	LDPC-07-980-6/125-S-40-3A-1-1-30-10LD	Pigtail style laser diode to fiber coupler using a 10mW 980nm laser diode with 30% coupling efficiency (3mW minimum output power from the fiber), with a 1 meter long, 900µm OD loose tube jacketed 6/125 singlemode fiber terminated with an FC/APC connector. The coupler return loss is -40dB. The coupler housing includes a 25.4mm x 15mm mounting flange. Driver electronics not included.
53499	LDPC-07-1060-6/125-S-40-3A-1-1-30-100LD	Pigtail style laser diode to fiber coupler using a 100mW 1060nm laser diode with 30% coupling efficiency (30mW minimum output power from the fiber), with a 1 meter long, 900µm OD loose tube jacketed 6/125 singlemode fiber terminated with an FC/APC connector. The coupler return loss is -40dB. The coupler housing includes a 25.4mm x 15mm mounting flange. Driver electronics not included.
53500	LDPC-07-1310-9/125-S-40-3A-1-1-30-20LD	Pigtail style laser diode to fiber coupler using a 20mW 1310nm laser diode with 30% coupling efficiency (6mW minimum output power from the fiber), with a 1 meter long, 900µm OD loose tube jacketed 9/125 singlemode fiber terminated with an FC/APC connector. The coupler return loss is -40dB. The coupler housing includes a 25.4mm x 15mm mounting flange. Driver electronics not included.
53501	LDPC-07-1550-9/125-S-40-3A-1-1-30-5LD	Pigtail style laser diode to fiber coupler using a 5mW 1550nm laser diode with 30% coupling efficiency (1.5mW minimum output power from the fiber), with a 1 meter long, 900µm OD loose tube jacketed 9/125 singlemode fiber terminated with an FC/APC connector. The coupler return loss is -40dB. The coupler housing includes a 25.4mm x 15mm mounting flange. Driver electronics not included.
53509	LDPC-07-635-4/125-P-40-3A-1-1-30-10LD	Pigtail style laser diode to fiber coupler using a 10mW 635nm laser diode with 30% coupling efficiency (3mW minimum output power from the fiber), with a 1 meter long, 900µm OD loose tube jacketed 4/125 polarization maintaining fiber terminated with an FC/APC connector. The coupler return loss is -40dB. The coupler housing includes a 25.4mm x 15mm mounting flange. Driver electronics not included.
53516	LDPC-07-785-5/125-P-40-3A-1-1-30-70LD	Pigtail style laser diode to fiber coupler using a 70mW 785nm laser diode with 30% coupling efficiency (20mW minimum output power from the fiber), with a 1 meter long, 900µm OD loose tube jacketed 5/125 polarization maintaining fiber terminated with an FC/APC connector. The coupler return loss is -40dB. The coupler housing includes a 25.4mm x 15mm mounting flange. Driver electronics not included.
53519	LDPC-07-850-5/125-P-40-3A-1-1-30-50LD	Pigtail style laser diode to fiber coupler using a 50mW 850nm laser diode with 30% coupling efficiency (10mW minimum output power from the fiber), with a 1 meter long, 900µm OD loose tube jacketed 5/125 polarization maintaining fiber terminated with an FC/APC connector. The coupler return loss is -40dB. The coupler housing includes a 25.4mm x 15mm mounting flange. Driver electronics not included.
53520	LDPC-07-980-6/125-P-40-3A-1-1-30-10LD	Pigtail style laser diode to fiber coupler using a 10mW 980nm laser diode with 30% coupling efficiency (3mW minimum output power from the fiber), with a 1 meter long, 900µm OD loose tube jacketed 6/125 polarization maintaining fiber terminated with an FC/APC connector. The coupler return loss is -40dB. The coupler housing includes a 25.4mm x 15mm mounting flange. Driver electronics not included.
53521	LDPC-07-1060-6/125-P-40-3A-1-1-30-100LD	Pigtail style laser diode to fiber coupler using a 100mW 1060nm laser diode with 30% coupling efficiency (30mW minimum output power from the fiber), with a 1 meter long, 900µm OD loose tube jacketed 6/125 polarization maintaining fiber terminated with an FC/APC connector. The coupler return loss is -40dB. The coupler housing includes a 25.4mm x 15mm mounting flange. Driver electronics not included.
53522	LDPC-07-1310-7/125-P-40-3A-1-1-30-20LD	Pigtail style laser diode to fiber coupler using a 20mW 1310nm laser diode with 30% coupling efficiency (6mW minimum output power from the fiber), with a 1 meter long, 900µm OD loose tube jacketed 9/125 polarization maintaining fiber terminated with an FC/APC connector. The coupler return loss is -40dB. The coupler housing includes a 25.4mm x 15mm mounting flange. Driver electronics not included.
53523	LDPC-07-1550-8/125-P-40-3A-1-1-30-5LD	Pigtail style laser diode to fiber coupler using a 5mW 1550nm laser diode with 30% coupling efficiency (1.5mW minimum output power from the fiber), with a 1 meter long, 900µm OD loose tube jacketed 8/125 polarization maintaining fiber terminated with an FC/APC connector. The coupler return loss is -40dB. The coupler housing includes a 25.4mm x 15mm mounting flange. Driver electronics not included.

Standard Product Specifications:

Standard Laser Diode Table						
Wavelength (nm)	LD power (mw)	LD bar code #	LD Part #	Available package size	Available coupling efficiency [5]	Standard options
405	120LD	51650	NDV4316E	LDPC-04	40% ±5%	[6]
450	100LD	47632	PL450B	LDPC-04	40% ±5%	[6]
473	20LD	27671	NDHA210	LDPC-04	40% ±5%	[6]
488	60LD	49853	NDS4116	LDPC-04	40% ±5%	[6]
520	50LD	53112	PL520	LDPC-04	40% ±5%	[1] [2] [3]
635	5LD	2677	HL6312G	LDPC-01	35% ±5%	[1] [2] [3]
				LDPC-02	45% ±5%	[1] [2] [3] [4]
				LDPC-03	25% ±5%	[1] [2] [3]
635	10LD	3883	HL6320G	LDPC-01	35% ±5%	[1] [2] [3]
				LDPC-02	45% ±5%	[1] [2] [3] [4]
				LDPC-03	25% ±5%	[1] [2] [3]
670	10LD	20855	HL6714G	LDPC-01	35% ±5%	[1] [2] [3]
				LDPC-02	45% ±5%	[1] [2] [3] [4]
				LDPC-03	25% ±5%	[1] [2] [3]
780	5LD	4537	ML40126N-01	LDPC-01	35% ±5%	[1] [2] [3]
				LDPC-02	45% ±5%	[1] [2] [3] [4]
				LDPC-03	25% ±5%	[1] [2] [3]
830	150LD	39187	DL-8142-201	LDPC-01	35% ±5%	[1] [2] [3] [4]
				LDPC-02	45% ±5%	[1] [2] [3] [4]
				LDPC-03	55% ±5%	[1] [2] [3] [4]
850	50LD	35088	HL8340MG	LDPC-01	35% ±5%	[1] [2] [3]
				LDPC-02	45% ±5%	[1] [2] [3] [4]
				LDPC-03	25% ±5%	[1] [2] [3]
980	10LD	45683	L980P010	LDPC-01	35% ±5%	[1] [2] [3]
				LDPC-02	45% ±5%	[1] [2] [3] [4]
				LDPC-03	25% ±5%	[1] [2] [3]
1060	100LD	39195	EYP-RWL-1060-00100	LDPC-01	35% ±5%	[1] [2] [3] [4]
				LDPC-02	45% ±5%	[1] [2] [3] [4]
				LDPC-03	55% ±5%	[1] [2] [3] [4]
1310	5LD	27508	ML725B45F	LDPC-01	35% ±5%	[1] [2] [3] [4]
				LDPC-02	45% ±5%	[1] [2] [3] [4]
				LDPC-03	25% ±5%	[1] [2] [3] [4]
1550	5LD	43419	ML925B45F	LDPC-01	35% ±5%	[1] [2] [3] [4]
				LDPC-02	45% ±5%	[1] [2] [3] [4]
				LDPC-03	25% ±5%	[1] [2] [3] [4]
Notes:	[1] -BL = blocking screw.					
	[2] -DR = laser diode driver module.					
	[3] -PS = power supply; NOTE: -PS option is only available with -DR option.					
	[4] -ISOL = optical isolator; NOTE: coupling efficiency is given w/o isolator. 1310/1550/1650 only.					
	[5] NOTE: Coupling efficiency stated is for SM & PM fiber. MM fiber will be higher.					

Alignment kits for laser diode to fiber couplers

BC	OZ Part Number	Description
37597	ALIGN-01/4-DVD-IRVIS	Alignment kit for pigtail style laser diode to fiber couplers with 4mm OD housings. The kit includes a collimating wrench, multimode fiber assembly, Centering lens and an instructional DVD.
36769	ALIGN-01/8-DVD-IRVIS	Alignment kit for pigtail style laser diode to fiber couplers with 8mm OD housings. The kit includes a collimating wrench, multimode fiber assembly, Centering lens and an instructional DVD.

Ordering Information For Custom Parts:

OZ Optics welcomes the opportunity to provide custom designed products to meet your application needs. As with most manufacturers, customized products do take additional effort so please expect some differences in the pricing compared to our standard parts list. In particular, we will need additional time to prepare a comprehensive quotation, and lead times will be longer than normal. In most cases non-recurring engineering (NRE) charges, lot charges, and/or a 10 piece minimum order will be necessary. These points will be carefully explained in your quotation, so your decision will be as well informed as possible. We strongly recommend buying our standard products.

Questionnaire For Custom Parts:

Please fill out the Laser Diode to Fiber Coupler Delivery System Questionnaire, available separately.

Pigtail Style Laser Diode to Fiber Coupler

LDPC-0A-W-a/b-F-LB-X-JD-L-C(OPT)

A = Package size¹: 1 = 0.79" OD cylindrical housing
 2 = 1.31" OD cylindrical housing
 3 = 0.59" OD cylindrical housing
 4 = 0.50" OD cylindrical housing
 5 = OEM 10mm OD cylindrical housing
 6 = OEM Rt. Angle PCB mountable housing
 7 = 25.4 mm x 15 mm mounting flange
 T3 = 1" Square flange for Thermal control

W = Wavelength²: 400, 450, 488, 520, 635, 650, 670, 685, 750, 780, 810, 830, 850, 980, 1064, 1310, 1480, 1550, 1625, 2004
 other wave length are also available.

a/b = Fiber core/cladding diameters (in μm)

F = M = Multimode
 S = Singlemode
 P = Polarization Maintaining

LB = Backreflection level: 35 = 35dB return loss (for multimode)
 40 = 40dB return loss
 60 = 60dB return loss (for SM and PM only)

C = Coupling Efficiency³: 30 = 30%
 45 = 45%
 75 = 75%

L = Fiber length, in meters

JD = Jacket Diameter:
 0.25 = 250 μm buffered fiber
 0.4 = 400 μm buffered fiber
 1 = 900 μm jacketed fiber
 3 = 3mm OD Kevlar etc.

Refer to *Standard Tables* for other cables.
http://www.ozoptics.com/ALLNEW_PDF/DTS0079.pdf

X = Output connector.

3S = Super FC/PC
 3A = Angled FC/PC
 5 = SMA905
 SC = SC
 SCA = SCA
 E = E2000
 EA = E2000 Angled PC APC

Refer to *Standard Tables* for other connectors.
http://www.ozoptics.com/ALLNEW_PDF/DTS0079.pdf

¹ Note that due to limitations in the size of the laser diode being used, not all package sizes are available for every laser diode.

² These are standard center wavelength values. The tolerance may vary depending on both wavelength and the laser diode manufacturers tolerance. (typically $\pm 5\text{nm}$ to as high as $\pm 30\text{nm}$).

³ Note that due to variations in the optical characteristics of the laser diode being used, not all coupling efficiencies are available for every laser diode for every fiber type.

Options: Add "**ISOL**" if the laser diode is to be coupled through an optical isolator, available for 1300–1650 nm LD.

Add "**DR**" if OZ Optics is to provide the laser diode driver circuit or module for the laser diode.

Add "**PS**" if OZ Optics is to provide the power supply to operate the laser diode driver.

Add "**#LD**" if OZ Optics is to provide the laser diode (where # is the LD output power, IE: -5LD).

Add "**BL**" if OZ Optics is to provide a manual blocking screw to control the laser diode output power.

Add "**PO**" if OZ Optics is to supply parts as a kit, for customer to install the laser diode.

Add "**CSP**" for customer supplied laser diodes.

Ordering Examples For Custom Parts:

Example 1: A customer needs to couple light from a 1310nm laser diode into a standard 9/125 singlemode fiber. They require 35% coupling and want to do the alignment themselves.

Bar Code	Part Number	Description
N/A	LDPC-01-1310-9/125-S-40-3S-3-1-35-5LD-PO	Pigtail style 1310nm laser diode to singlemode fiber coupler (20mm OD housing) with 35% coupling efficiency from a 5mW 1310nm laser diode, and 40dB return loss. The output fiber is a 9/125 singlemode fiber, 3mm jacketed, 1 meter long, and terminated with a Super PC finish connector. PO: Parts only. Customer to install his own laser diode and do the alignment
37597	ALIGN-01/4-DVD-IRVIS	Alignment kit for laser diode to fiber couplers with 4mm OD pigtails. The kit includes a collimating wrench; 4mm OD lensed multimode fiber assembly, instruction manual and an instructional DVD.

Example 2: A customer needs to couple light from a 670nm laser diode into a 4/125 singlemode fiber with a bare fiber on the output. They only require 15% coupling from the smallest non-OEM standard package.

Bar Code	Part Number	Description
7942	LDPC-04-670-4/125-S-40-X-0.25-0.5-15 CSP	670nm Laser diode to SM fiber coupler(12.5mm OD) with a 0.5 meter long, 250 micron OD unjacketed, 4/125 pigtail with no connector and a -40dB return loss. 15% coupling efficiency. Customer supplied part diode. (CSP)

Application Notes:

Emitter size vs. fiber size

A common question is, "Why can't I get good coupling from some diodes into small core fibers?" The answer is simply "Physics". When coupling light from a source into an optical fiber one has to consider the size of the emitter and its emission angle, as well as the core size of the fiber and its respective acceptance angle (NA). It is usually just a matter of simple imaging.

When imaging at a 1:1 ratio, the object and the image, as well as the angle of the rays to/from them, are identical. When imaging at a 2:1 ratio (magnifying), the image becomes twice as large, but the angle of the rays to the image are cut in half.

A simplified example: A 1310nm laser diode has an emitter that is $1 \times 3 \mu\text{m}$ and has an emission angle of 25° FWHM. It is required to couple it into a standard 9/125 fiber ($\text{NA}=0.11$). To image the $1 \times 3 \mu\text{m}$ emitter onto the $9 \mu\text{m}$ core, a maximum magnification of three would be required. Any light not imaged onto the fiber core will be lost. This would produce a $3 \times 9 \mu\text{m}$ image on the end of the fiber, as well as reducing the angle of the emitted rays from 25° to 8.3° ($\text{NA} \sim 0.14$). Any light not captured by the acceptance angle of the fiber will be lost as well.

Try this same calculation only using a $1 \times 100 \mu\text{m}$ emitter (typical "stripe" laser diode) or a $300 \times 300 \mu\text{m}$ emitter (typical indicator LED) and see the percentage of light that may be coupled into the fiber.

NOTE: There are some lenses available that will reduce the effect, but they are required to be mounted very close to the laser diode chip in a specific orientation.

Laser diode drivers

There are basically two types of laser diode drivers, constant current and constant power. There are advantages and disadvantages to both, depending on what your ultimate goal is. Some of these main points are outlined below.

Also, you may well ask, "What is the simplest laser diode driver?" The simplest laser diode driver is a battery and a variable resistor (potentiometer), but it offers no type of protection or control. The problem with this is that the internal resistance of the laser diode decreases with an increase in temperature, and with this decrease, it will draw more current. This cycle will continue until the device either reaches thermal equilibrium, or fails due to excessive current.

In constant current drivers, the current through the laser diode is sensed by some circuitry and adjusted to provide a constant current to the laser diode. This adjustment compensates for the internal resistance change of the laser diode. The advantage of this is the fact that the laser diode is less likely to "mode hop" due to the input current changing. The disadvantage of this is the laser diode output power will decrease until the device reaches a thermal equilibrium.

In constant power drivers, a photodiode (back facet monitor) in the rear of the laser diode package is used to sense the relative output of the laser diode. This output is then fed to some circuitry to adjust the current through the laser diode in order to provide a constant output power. The advantage of this is, of course, you maintain a constant output power from the device. The disadvantage of this is the laser diode current will increase until the device reaches a thermal equilibrium. Be advised though, that the feedback loop of the driver must be properly chosen to match the photodiode current range of the device.

What Is ESD?

ESD, or Electrostatic Discharge, is basically the discharge of electrons previously stored up on an insulator. Modern electronic components like computer chips, electronic assemblies and circuit boards are sensitive to static electrical charges, and laser diodes are no exception. Many of these components can be damaged beyond repair by an electrical discharge as low as 20 volts. Also, the failure may not be evident until much later in the device's lifetime as there are two types of failure modes, catastrophic and latent.

When a catastrophic failure occurs, the electronic device that was exposed to an ESD event will no longer function. In the case of a laser diode, the surge current races across the surface of the device (laser facet) damaging the crystalline structure, resulting in an expensive LED. Latent failure on the other hand is more insidious. The device may work for days, or even months before any sign of failure is noticed. Even then, it may fail suddenly, or begin to degrade slowly over time. As you can see, a latent defect is difficult to detect, especially if the device has been working for a while. A product using devices with latent defects may experience failure for no apparent reason. The best way to avoid these failure modes is to prevent them from happening in the first place. There are many preventative measures that one can take, several of which are given below:

- Use the static sensitive devices on a static dissipative surface or mat. (A static dissipative surface is one where the surface resistivity is 1×10^5 - 1×10^{12} ohms/sq, or the volume resistivity is 1×10^4 - 1×10^{11} ohm-cm.) This will ensure that there is no build up electrons to discharge.
- Always make sure that you are grounded through an appropriate resistance (500k ohm to 1M ohm). This will ensure that any static charges that would normally build up on you, do not.
- Test your wrist strap and grounding cord twice daily. Also, just wearing a wrist strap does not mean that you are grounded. Dry skin, for instance, can prove to be an insulator, and lead you to believe that you are grounded when you are not.
- Maintain an ESD control and awareness program, and stick to it!

Examples of Static Electricity Voltage Levels Generated by Various Routine Tasks		
Means of Generation	10-25% RH	65-90% RH
Walking across a carpet (or rubbing your "lucky" rabbits foot)	35,000V	1,500V
Walking across a vinyl tile floor	12,000V	250V
Worker just sitting at a bench	6,000V	100V
Picking up a poly bag from a bench	20,000V	1,200V
Sitting in or rising from a chair with urethane foam padding.	18,000V	1,500V

Frequently Asked Questions (FAQs):

Q: If I am getting a PM fiber coupler, what will the polarization direction be coming out of the fiber tip?

A: Oz Optics normally orients the slow axis of the PM fiber to the "E" field of the laser diode (which is parallel to the plane of the junction). OZ can orient the laser diode to any of the fiber's polarization axes.

Q: Is the laser to fiber coupler design stable? There are a lot of screws.

A: One misconception about tilt adjustable laser diode couplers is the belief that the number of tilt and locking screws make the coupler sensitive to temperature or vibration. In fact, tilt adjustable source couplers can be used over a temperature range of -25°C to 60°C, and have been vibration tested. Higher temperature versions are available on request.

Q: What type of laser diode should I choose for my application?

A: Normally, the choice of laser diode wavelength, output power, line width, and modulation rate will drive your choice in choosing a laser diode. The remaining information can be found from the diode manufacturer's data sheets. In choosing between similar diodes, keep the following points in mind:

Diode can size: Ideally, the can dimensions should be as small as possible. The critical dimension is the distance between the laser diode chip and the outside of the optical window on the can. For maximum flexibility, this distance should be less than or equal to 1.1mm. Diodes with longer separations can be used, but this means using longer focal length lenses, which will affect the package size.

Emitter Dimensions: The smaller the emitter area is, the easier it is to couple the light into a fiber. Most diodes have emitting areas of the order of 1 x 3 microns in size. It is usually easy to get good coupling efficiency into a singlemode fiber with this chip size. However some diodes, particularly very high power diodes, have much larger dimensions (1 x 100 microns, for instance). These diodes can only be efficiently coupled to multimode fibers with similar or larger core sizes.

Far field divergence angles/Astigmatism: These two properties are closely related. Ideally, the divergence angles should be as small as possible. The Ratio of these two angles is known as the **Aspect Ratio**. Typical divergence angles are about 10° by 30°. Furthermore, the difference between the two angles, which is limited by the diode's astigmatism, should be as little as possible.

Pointing Stability: Some diodes show changes in the pointing direction of their output over time. This could be a serious problem when coupling the laser diode output into a singlemode fiber. Contact the diode manufacturer for information about their diode's specifications.

Q: If the diode fails, do I have to throw out the whole assembly?

A: No. This is one of the main advantages of the OZ Optics LD coupler with the adjustable tilt design. The lenses and optical fibers can be easily reused. Simply put the new diode into a new laser diode holder, collimate it using the old collimating lens assembly, and focus the collimated beam into the fiber using the old focusing optics.

Q: Can the level of back-reflected light going back into the laser diode cavity be reduced without having to use an isolator?

A: Yes. First, the laser diode chip should be positioned slightly off center with respect to the collimating lens assembly. This prevents reflections from traveling straight back into the cavity. Secondly, The input end of the fiber can be polished at an angle. Finally, the output end of the fiber can be angle polished, or index-matching gel can be used on the output end of the fiber. By combining these techniques, typical backreflection levels of up to -40dB can be achieved. In addition, backreflection levels as low as -60 dB are possible by applying an AR coating to the fiber tips.

Q: Does the diode chip have to be centered with respect to the outer diode housing?

A: No. This is one of the advantages of the OZ Optics design. There is no need for tight tolerances on the diode chip location, as small offsets in the lateral position of the laser diode chip can be easily compensated for at the focusing optics, using the patented tilt adjustment technique.

Q: Is there any way to achieve greater than the 45% coupling efficiency normally specified for a singlemode laser diode to fiber coupler?

A: Yes. In certain cases a cylindrical microlens can be added to the laser diode to reduce the astigmatism and aspect ratio. Coupling efficiencies of up to 80 percent have been achieved using this method. However, this usually means removing the diode can from the diode. The can is then soldered back on. Contact OZ Optics for more information on this technique.

Q: I have a laser diode mounted on an open chip carrier. How can I use a laser diode to fiber coupler with it?

A: The laser diode chip must first be attached to a laser diode holder. The laser diode and laser diode holder can then be attached to the collimating lens assembly and focusing optics. NOTE: OZ Optics has several different type of laser diode holders already in stock, and custom diode holders can be manufactured to meet your needs. Contact OZ Optics for further information.

Q: I want to convert the output from a laser diode into a Gaussian beam. Can I do this without using cylindrical lenses or anamorphic prisms?

A: Yes. Couple the light into a singlemode or polarization maintaining fiber using a laser diode to fiber coupler. The fiber acts as an excellent spatial filter, giving an almost ideal Gaussian output beam. Wavefront distortion can be as low as 1/50. The fiber output can then be easily collimated using a lens. OZ Optics offers a wide variety of fiber optic collimators for this purpose.

Q: Can optical amplifiers be pigtailed as well as laser diodes?

A: Yes. Optical amplifiers emit a little light in both directions when operated at low currents. This light can be collimated, and then coupled into an optical fiber. By doing this on both sides of the coupler, the amplifier can be pigtailed.