

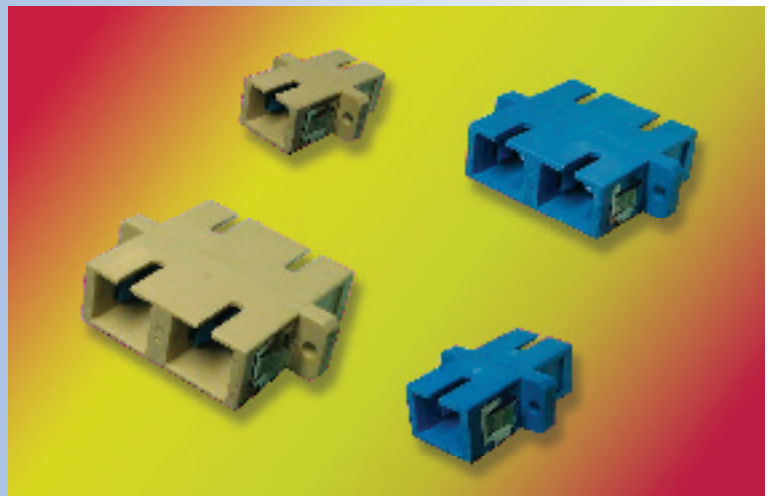
P-AD ADAPTORS

Features:

- Low insertion loss
- Low back reflection loss
- Easy to handle
- Environmentally stable

Applications:

- Telecommunications
- Local area network
- Fiber to the home
- Fiber optic sensors
- Testing instruments
- CATV



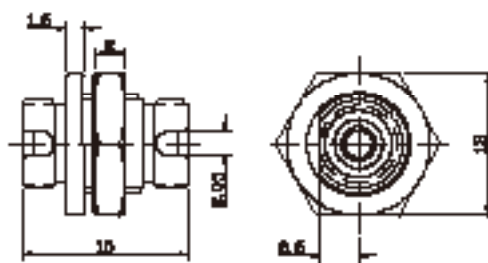
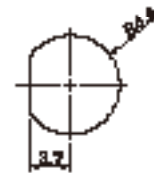
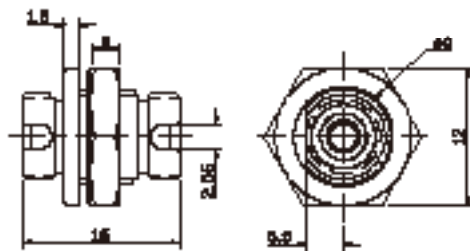
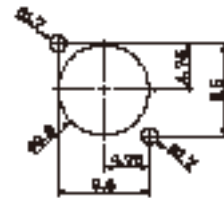
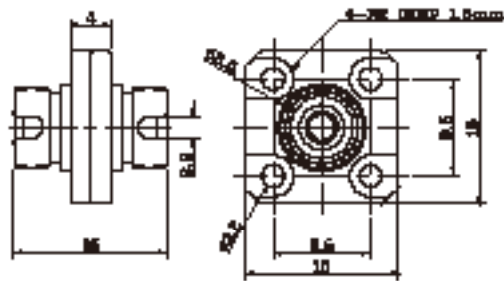
Performance Specifications:

ITEM	Adaptors	
	Ceramic	Bronze
Sleeve Material	Ceramic	Bronze
Typical Insertion Loss, dB	0.1	0.3
Maximum Insertion Loss, dB	0.3	0.5
Operating Temperature, °C	-40 ~ +75	
Storage Temperature, °C	-55 ~ +85	

ADAPTORS

Mechanical Drawings:

Unit: mm



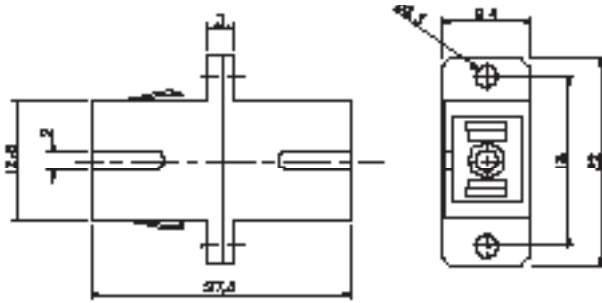
P-AD-DF-□-DF

Recommended Panel Cutout

ADAPTORS

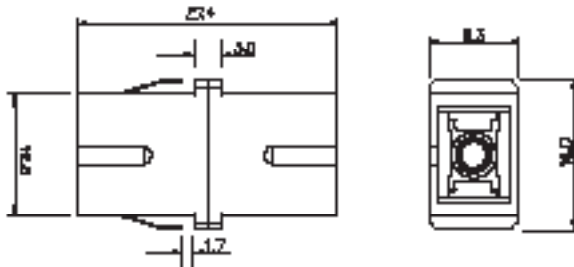
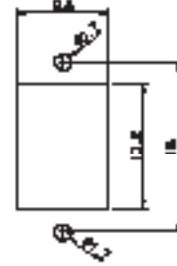
Mechanical Drawings:

Unit: mm



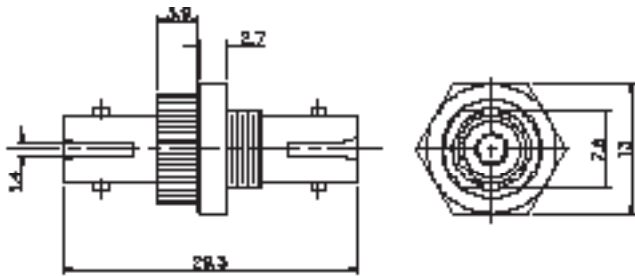
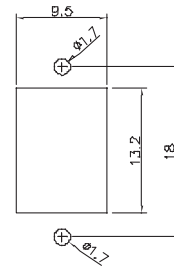
P-AD-SC-□ -SC (standard type)
P-AD-AS-□ -AS (standard type)

Recommended Panel Cutout



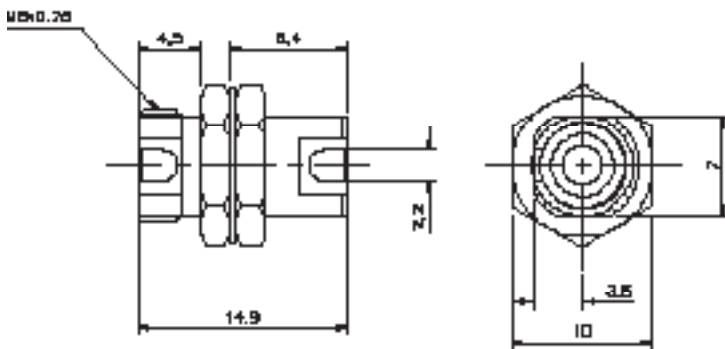
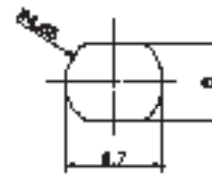
P-AD-SS-□ -SS (short flange type)
P-AD-S1-□ -S1 (short flange type)

Recommended Panel Cutout



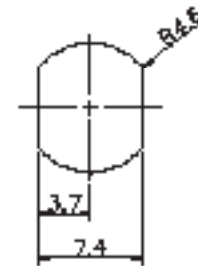
P-AD-ST-□ -ST

Recommended Panel Cutout



P-AD-MD-□ -MD

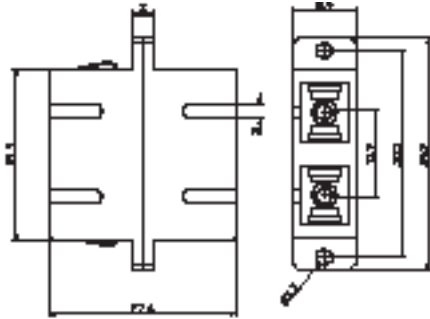
Recommended Panel Cutout



ADAPTORS

Mechanical Drawings:

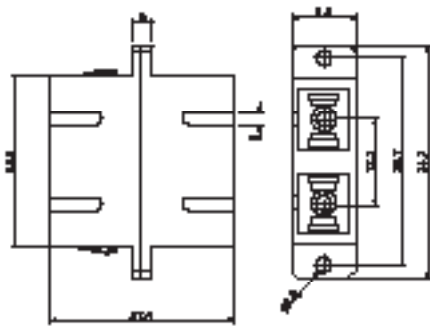
Unit: mm



P-AD-DC- □ -DC



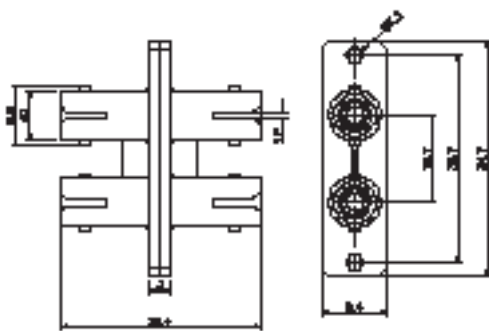
Recommended Panel Cutout



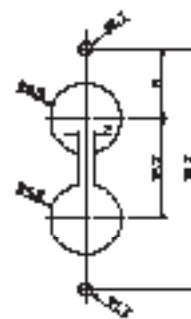
P-AD-DS □ -DS



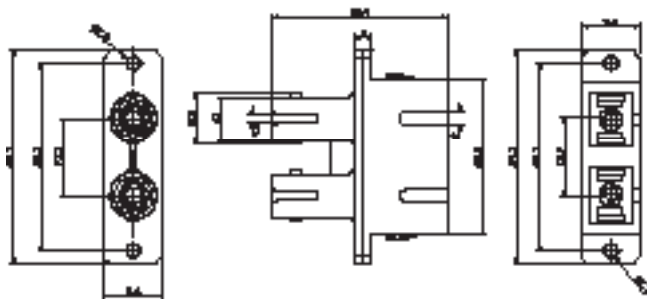
Recommended Panel Cutout



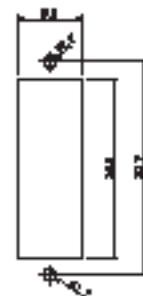
P-AD-DT- □ -DT



Recommended Panel Cutout



P-AD-DS □ -DT

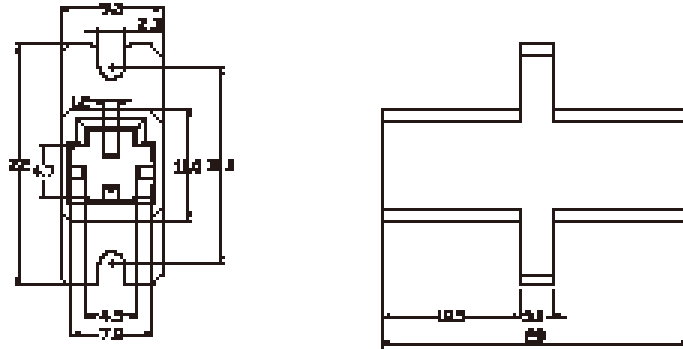


Recommended Panel Cutout

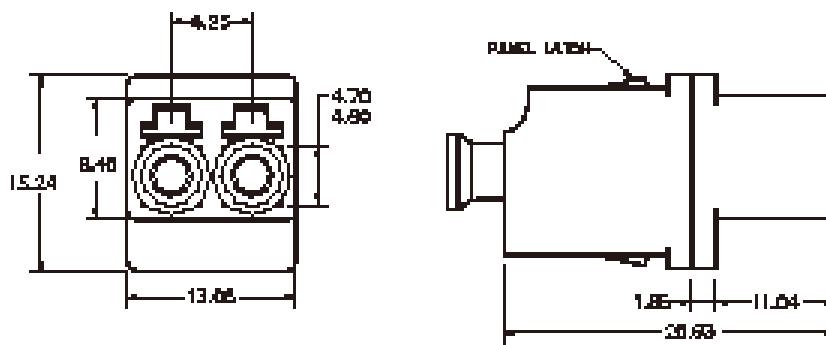
ADAPTORS

Mechanical Drawings:

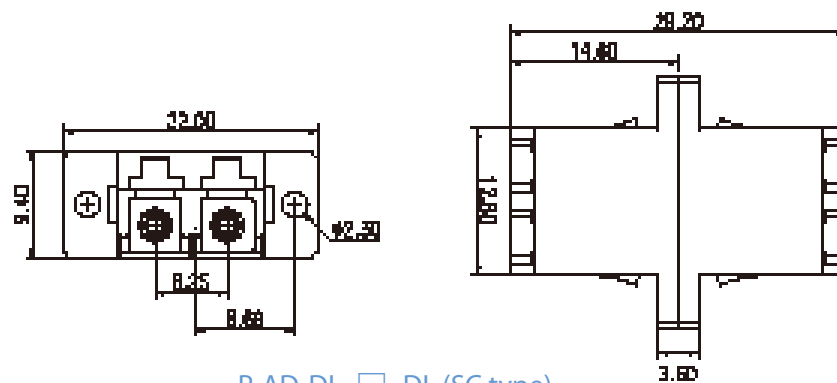
Unit: mm



P-AD-MR-□-MR



P-AD-DL-□-DL



P-AD-DL-□-DL (SC type)

ADAPTORS

Ordering Information:

P - AD - - -

Connector Type

AP	FC/APC type	D1	SC/APC duplex short flange type
AS	SC/APC standard type	D2	SC duplex short flange type
S 1	SC/APC short flange type		
FC	FC type		
FA	Die-cast FC type		
DA	D-hole FC/APC type		
DF	D-hole FC type		
MD	Miniature Double D-hole FC type		
SC	SC standard type (*)		
SS	SC short flange type (*)		
ST	ST type		
DC	SC/APC Duplex type(*)		
DS	SC duplex type (*)		
DT	ST duplex type		
LC	LC simplex type (*)		
AL	LC/APC simplex type		
DL	LC duplex type (*)		
GL	LC/APC duplex type		
MU	MU simplex type		
MP	MPO type		
MR	MTRJ type		
XX	Others, please specify		

Sleeve Material

B	Bronze
C	Ceramic
N	MT-RJ/MPO

Connector Type

AP	FC/APC type	D1	SC/APC duplex short flange type
AS	SC/APC standard type	D2	SC duplex short flange type
S 1	SC/APC short flange type		
FC	FC type		
FA	Die-cast FC type		
DA	D-hole FC/APC type		
DF	D-hole FC type		
MD	Miniature Double D-hole FC type		
SC	SC type (*)		
SS	SC short flange type (*)		
ST	ST type		
DC	SC/APC Duplex type(*)		
DS	SC duplex type (*)		
DT	ST duplex type		
LC	LC simplex type (*)		
AL	LC/APC simplex type		
DL	LC duplex type (*)		
GL	LC/APC duplex type		
MU	MU simplex type		
MP	MPO type		
MR	MTRJ type		
XX	Others, please specify		

(*) Standard housing color: SC, SS, DS,D2, LC, DL (w/ceramic sleeve): Blue
 SC, SS, DS, LC, DL (w/bronze sleeve): Beige