

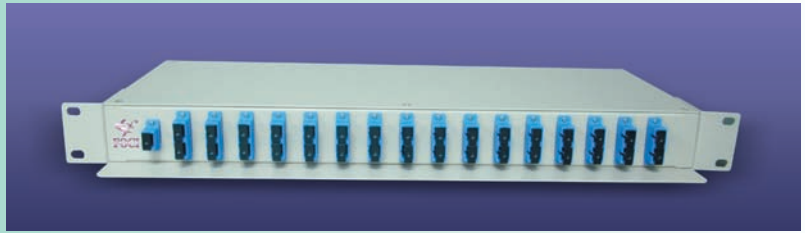
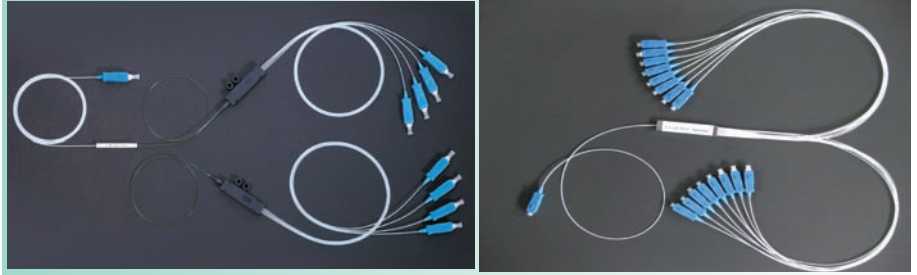
# O-TS 1(2)xN PLC SPLITTERS

**Features:**

- Environmentally stable
- Easy installation
- Custom-defined specification
- Low insertion loss
- High uniformity
- High reliability

**Applications:**

- Metro
- Network protection
- Monitoring
- Access/PON distribution
- CATV



**Performance Specifications:**

ITEM	1xN Splitters					
Type	1x2	1x4	1x8	1x16	1x32	1x64
Insertion Loss, dB	≤4.2	≤7.4	≤10.7	≤13.7	≤16.9	≤21.5
Uniformity, dB	≤0.6	≤0.8	≤1.0	≤1.2	≤1.5	≤2.0
Operating Wavelength, nm	1260~1650					
Directivity, dB	≥55					
Optical Input Return Loss, dB	≥55					
Polarization Dependent Loss, dB	≤0.2	≤0.3				≤0.4
Package Size, mm (±0.2mm) (L x W x H) (1)	40x4x4		40x4x4	50x7x4	60x12x4	
Package Size, mm (±0.2mm) (L x W x H) (2)	55x7x4		60x12x4	80x20x6	100x40x6	
Storage Temperature, °C	-40 ~ 85 (*)					
Operating Temperature, °C	-40 ~ 85 (*)					
Connectors	SC,SC/APC,LC,LC/APC,ribbon,or others					

ITEM	2xN Splitters					
	2x2	2x4	2x8	2x16	2x32	2x64
Insertion Loss, dB	≤4.2	≤7.6	≤10.9	≤14.2	≤17.5	≤21.5
Uniformity, dB	≤0.8	≤1.0	≤1.2	≤1.50	≤1.80	≤2.0
Operating Wavelength, nm	1260~1650					
Directivity, dB	≥55					
Optical Input Return Loss, dB	≥55					
Polarization Dependent Loss, dB	≤0.2	≤0.3				≤0.4
Package Size, mm (±0.2mm) (L x W x H) (1)	40x4x4	45x5x4	55x7x4	55x7x4	65x12x4	
Package Size, mm (±0.2mm) (L x W x H) (2)	55x7x4	55x7x4	60x12x4	80x20x6	100x40x6	
Storage Temperature, °C	-40 ~ 85 (*)					
Operating Temperature, °C	-40 ~ 85 (*)					
Connectors	SC,SC/APC,LC,LC/APC,ribbon,or others					

Note: 1. Without Connector Loss

2. \* 0°C ~ +70°C for 900µm, 2.0mm, or 3.0mm cable.

3. Package Size: (1):Standard type w / fanout box at output ports

(2):Small form type w /o fanout box at output ports

FOCI Fiber Optic Communications, Inc. TEL: +886-3-5770099 FAX: +886-3-5799766 Web: <http://www.FOCI.com.tw>

# 1(2) x N PLC SPLITTERS

## Ordering Information:

O - TS -   -    -  /   - WB -   /   -  -

### Fiber Type (Input End)

C	Singlemode bare fiber	O	2.0 mm
L	Singlemode 900um tube	Q	3.0 mm
S	Modulized		
X	Others, please specify		

### Fiber Type (Output End)

C	Singlemode bare fiber	O	2.0 mm
L	50cm bare fiber +900µm ribbon fan-out	Q	3.0 mm
H	900µm tube w/o fan out	S	Modulized
X	Others, please specify		

### Input Port No.

1	1 x N
2	2 x N

### Output Port Number

02	2 ports
04	4 ports
08	8 ports
16	16 ports
32	32 ports
64	64 ports
XX	Others, please specify

### Input Fiber Length

10	100 cm
15	150 cm
00	Modulized
XX	Others, please specify

### Output Cable Length

10	100 cm
20	200 cm
00	Modulized
XX	Others, please specify

### Connector Type (Input / Output)

LC	LC type	AL	LC/APC type
SC	SC type	AS	SC/APC type
E2	E2000 type	AE	E2000/APC type
MU	MU type	NC	None type
XX	Others, please specify		

### Package Option(mm)

2	40(L) x 4.0(W) x 4.0(H) for 1(2)x2, 1x4, 1x8, 1x16	3	50(L) x 7.0(W) x 4.0(H) for 1x32
4	55(L) x 7.0(W) x 4.0(H) for 2x16, 2x32	5	45(L) x 5.0(W) x 4.0(H) for 2x4, 2x8
6	A6 plastic box (120x80x18mm) with pigtailed (for 1(2)x2, 1(2)x4, 1(2)x8, 1(2)x16, 1(2)x32)	7	A5 plastic box (141x115x18mm) with pigtail for 1(2)x64
0	Modulized (with adaptors)	A	60(L)x12(W)x4.0(H) for small form 1(2)x16 900 µm tube
B	60(L)x12(W)x4.0(H) for 1x64	8	55(L)x7(W)x4.0(H) for small form 1(2)x2, 1(2)x4, 1(2)x8
D	65(L)x12(W)x4.0(H) for 2x64	E	80(L)x20(W)x6(H) for small form 900 µm tube (1(2)x32)

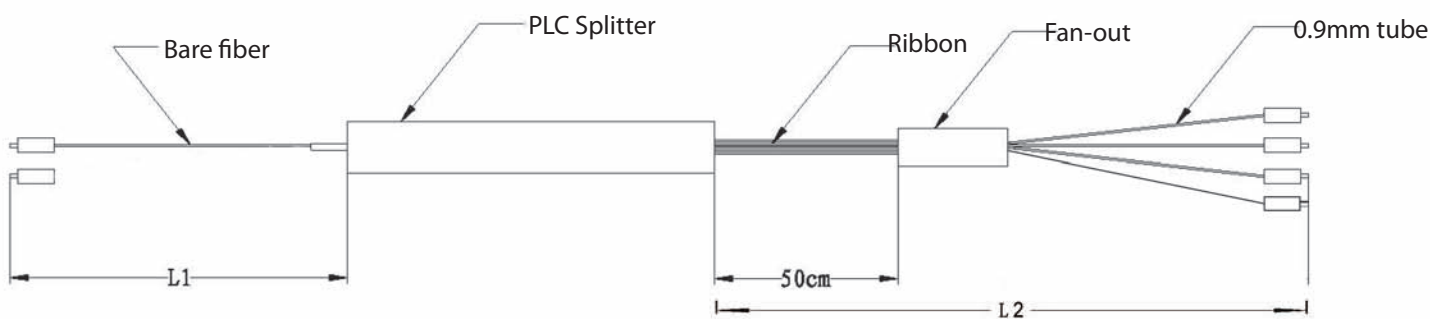
### Fiber Option

A:	Singlemode fiber(G.652D)
J:	Singlemode fiber(G.657. A1)

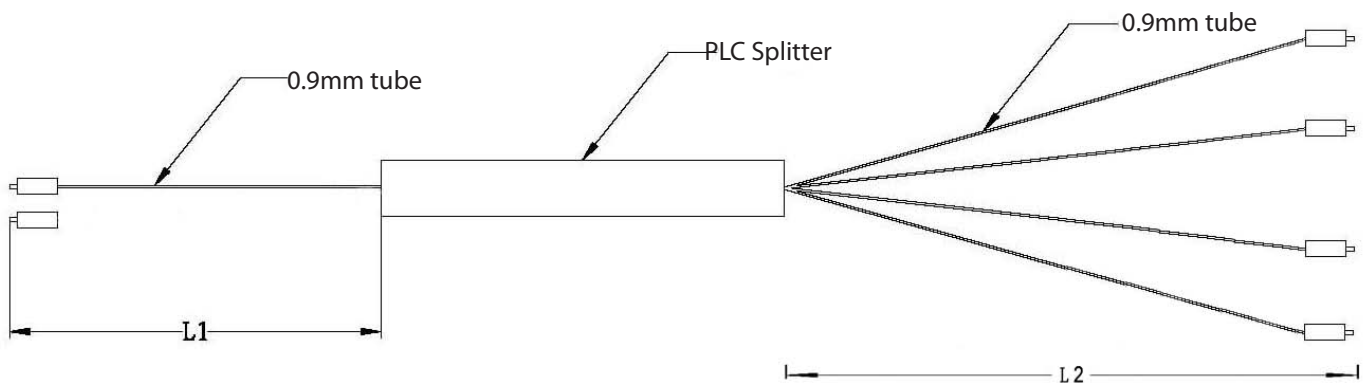
# 1(2) x N PLC SPLITTERS

## Packaging Options:

### Standard Type:



### Small Form Type:



Note: L1: Input  
L2: Output