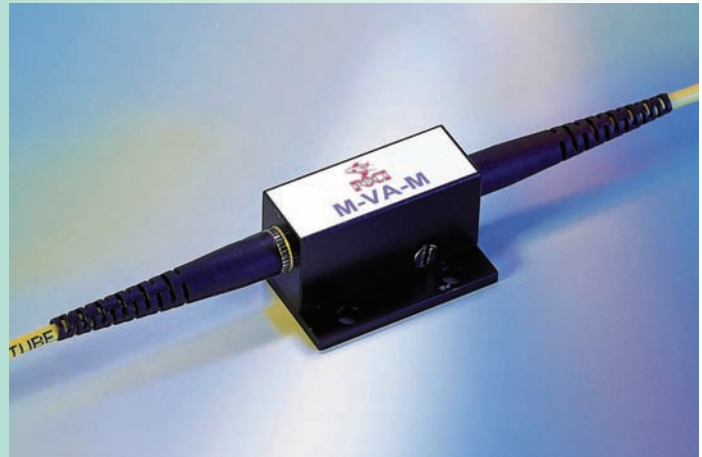


# M-VA-M MECHANICAL VARIABLE MICRO-OPTICS-TYPE ATTENUATORS

## Features:

- Environmentally stable
- Easy installation
- Custom designed specifications
- Low return loss
- Readily panel mountable
- Compact packaging



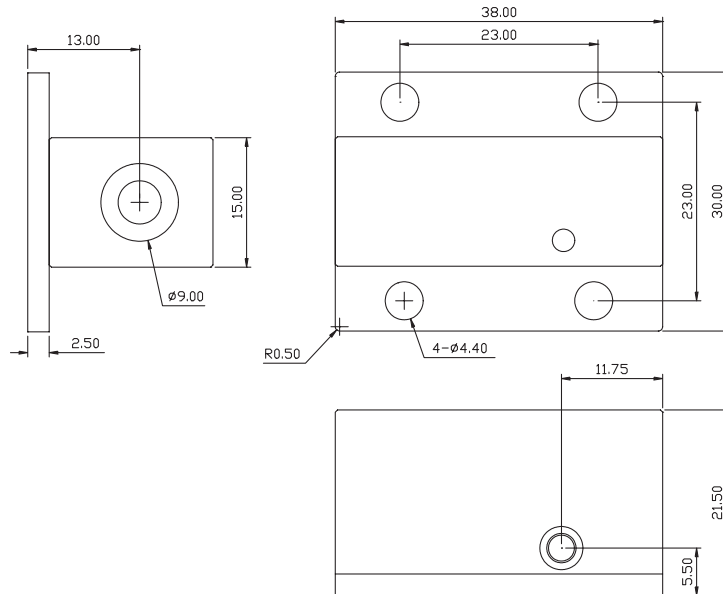
## Performance Specifications:

| Parameter                         | Mechanical Variable Micro-Optics Type Attenuators |             |
|-----------------------------------|---|-------------|
|                                   | SM  | MM          |
| Mode Type                         | SM  | MM          |
| Optical Wavelength, nm            | 1260 to 1600                                      | 850 or 1310 |
| Max. Residual Attenuation, dB     | 1.5   | 2.5         |
| Min. Attenuation Range, dB        | 50  | 30          |
| Max. Resolution, dB               | 0.1   | 0.1         |
| Min. Optical Return Loss, dB      | 55  | -           |
| Max. Polarization Sensitivity, dB | 0.2   | -           |
| Max. Thermal Stability, dB/°C     | 0.03  | -           |
| Max. Optical Power, mW            | 300   | -           |
| Operation Temperature, °C         | 0~+60   |             |
| Storage Temperature, °C           | -40~+75   |             |
| Packaging Dimension, mm           | 38x30x21.5  |             |

# MECHANICAL VARIABLE MICRO-OPTICS-TYPE ATTENUATORS

## Mechanical Drawings:

Unit: mm



## Ordering Information:

M - VA - M - □ - □ - □ - □ / □

### Fiber Type (Input / Output)

|   |                  |   |               |
|---|------------------|---|---------------|
| A | Singlemode Fiber | D | MM 62.5/125μm |
| C | MM 50/125μm      | X | Others        |

### Cable Type

|   |           |   |           |
|---|-----------|---|-----------|
| Q | 3mm cable | O | 2mm cable |
| X | Others    |   |           |

### Fiber Length (For Each End)

|    |        |    |    |
|----|--------|----|----|
| 01 | 1m     | 02 | 2m |
| XX | Others |    |    |

### Connector Type (Input / Output)

|    |         |    |             |
|----|---------|----|-------------|
| NC | None    | AP | FC/APC type |
| FC | FC type | AS | SC/APC type |
| SC | SC type | ST | ST type     |
| LC | LC type | MU | MU type     |
| XX | Others  |    |             |