

M-AC COARSE WDM ADD/DROPS

Features:

- Environmentally stable
- Easy installation
- Custom-defined specifications
- Low return loss
- Low loss, low cross-talk
- ITU standard

Applications:

- Telecommunications
- Local area network
- CWDM & FTTH



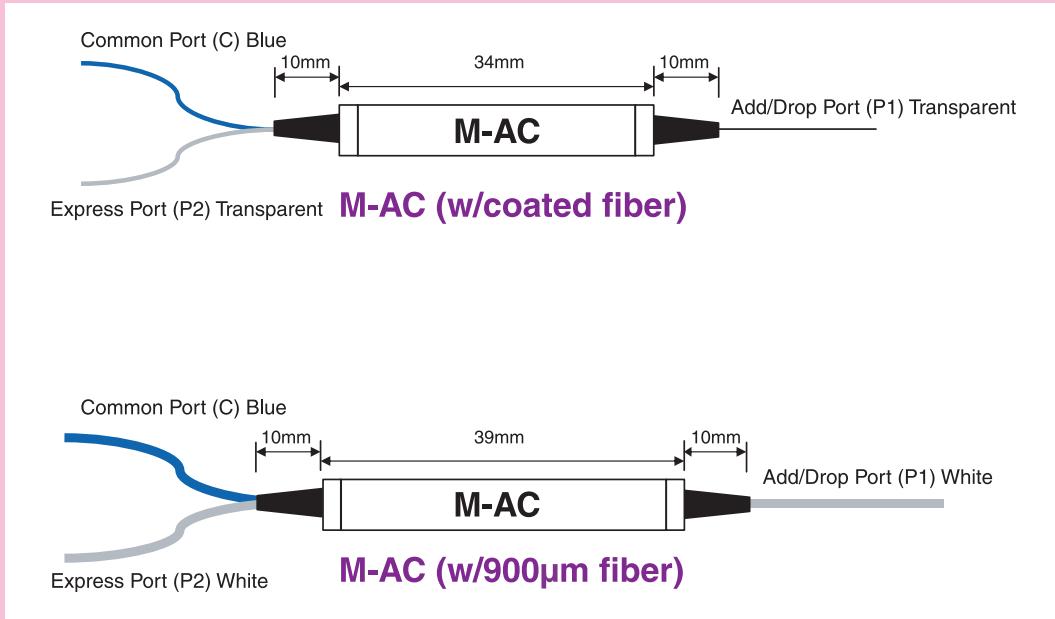
Performance Specifications:

ITEM	Optical Add/Drop Multiplexer For CWDM
Center Wavelength, nm	ITU Channel 1270~1610 (or 1271~1611)
Bandpass @0.5dB, nm	ITU ± 6.5 or Customer Specify
Channel Spacing, nm	20
Add/Drop Channel Insertion Loss (C-P ₁), dB	≤ 0.7
Express Channel Insertion Loss (C-P ₂), dB	≤ 0.4
Add/Drop Channel Ripple, dB	≤ 0.3
Isolation (C-P ₁), dB	≥ 30
Isolation (C-P ₂), dB	≥ 12
Directivity, dB	≥ 50
Optical Input Return Loss, dB	≥ 45
Polarization Dependent Loss, dB	≤ 0.1
Polarization Mode Dispersion(PMD), ps	≤ 0.1
Thermal Stability, dB/ °C	≤ 0.005
Thermal Stability Drift, pm/ °C	≤ 5
Max. Optical Power, mW	300
Max. Tensile Load, N	5
Storage Temperature, °C	-40 ~ 85
Operating Temperature, °C	0 ~ 70
Package Size, mm	$\varnothing 5.5 \times 34$ mm for coated fiber (250 μ m) $\varnothing 5.5 \times 39$ mm for loose tube cable (900 μ m)

* Without Connector Loss

COARSE WDM ADD/DROPS

Diagram & Dimensions



Ordering Information:

M - AC - A - □□ - □ - □□ - □□ / □□ - 1

Center Wavelength

- 49 1491nm
- 51 1511nm
- 53 1531nm
- XX Others, Customer Specify

Package Option (for both ends)

- D Coated fiber (250µm)
- M Loose tube cable (900µm)
- X Others, please specify

Pigtail Length

- | | | | |
|----|-----------|----|------------------------|
| 10 | 1 meter | 05 | 0.5meter |
| 20 | 2 meter | 15 | 1.5meter |
| 00 | Modulized | XX | Others, please specify |

Connector Type (Common / Output P₁+ P₂)

- | | | | |
|----|------------------------|----|-------------|
| FC | FC type | AP | FC/APC type |
| SC | SC type | AS | SC/APC type |
| ST | ST type | MU | MU type |
| LC | LC type | NC | None |
| XX | Others, please specify | | |